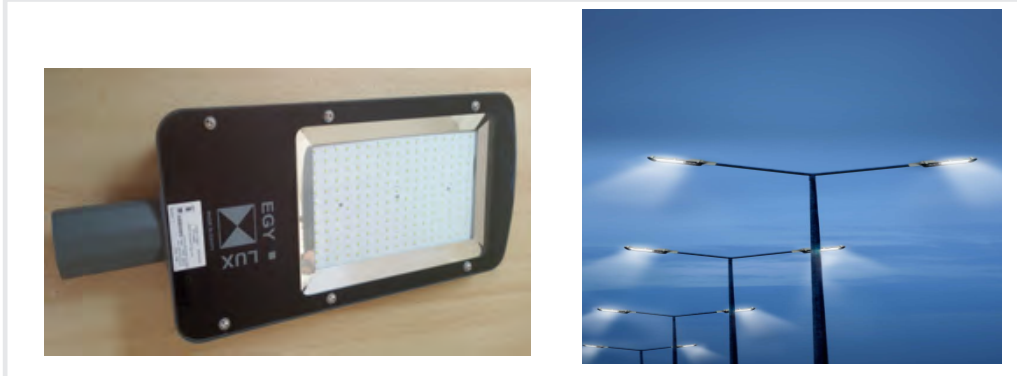
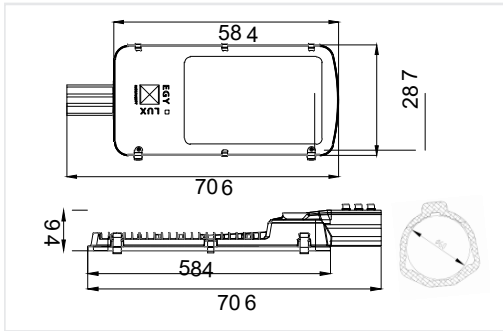


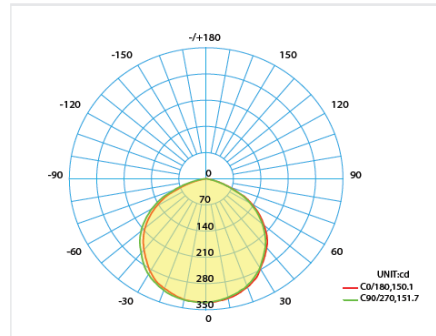
APPLICATION



DIMENSIONS



PHOTOMETRIC



PHYSICAL CHARACTERISTICS

Installation	Street Lighting/Pole installation
Cut - out Pole Size	60 mm
Depth / Height	94 mm
Length	706 mm
Width / Diameter	287 mm
IP - Rating	IP 66
IK - Rating	IK 08
Fixture Material	Die Cast Aluminum
Standard Finish	Electrostatic Grey
Color	Available

ELECTRICAL / PHOTOMETRIC DATA

Light Source	Osram / LumiLed
LED chip efficacy	156 lm/W / 170 lm/W
Chromaticism Tolerance	5 - Step Mac Adams
Color Rendering index	Ra >80
Color Temperature	3000K / 4000K / 5700K
Beam Angle	120°
Glare Control	UGR < 20
Reflector	Aluminium Reflector
Diffuser	Tempered Glass
Drivers	Philips/MeanWell

SPECIFICATIONS

Code	Power	LED chip Luminous Flux	Total Luminous Flux	System Efficacy
EGST8050**OSLED~~~	50 W	7800 lm	5966 lm	125 lm/W
EGST8075**OSLED~~~	75 W	11700 lm	8850 lm	124 lm/W
EGST8100**OSLED~~~	100 W	15600 lm	12300 lm	123 lm/W
EGST8150**OSLED~~~	150 W	23400 lm	18450 lm	121 lm/W
EGST8050**LMLED~~~	50 W	8500 lm	6750 lm	135 lm/W
EGST8075**LMLED~~~	75 W	12700 lm	10125 lm	135 lm/W
EGST8100**LMLED~~~	100 W	17000 lm	13500 lm	135 lm/W
EGST8150**LMLED~~~	150 W	25500 lm	20500 lm	135 lm/W

Note: for specified

"60">>>>>>>5700K
 "40">>>>>>>4000K
 "30">>>>>>>3000K
 OS>>>>Osram
 LM>>>>LumiLed
 "*:*">>>>PH>>>>Philips
 "-D">>>>for dimmable Philips drivers
 "*:*">>>>MN>>>>MeanWell

Note:

50W available with Meanwell Driver Only

DRIVER OPTIONS / SPECIFICATIONS

Driver	Power	Output Current	Power Factor	Temp. °C	Efficiency η	AC operate V η
Meanwell XLG-100-L-A	100 W	350~1050mA	>0.95	-40°C~90°C	>90	100-305 VAC
Meanwell XLG-150-L-A	150 W	350~1050mA		-40°C~90°C		100-305 VAC
Meanwell XLG-200-L-A	200 W	350~1050mA		-40°C~90°C		100-305 VAC
Philips Xitanium Dim 75W 0.70 A 1.10V TWE I250	75 W	700 mA		-40°C~55°C		110-277 VAC
Philips Xitanium 100W 0.7A 230V I175	100 W	700 mA		-40°C~55°C		202-254 VAC
Philips Xitanium 150W 0.7A 230V I175	150 W	700 mA		-40°C~55°C		202-254 VAC
Philips Xitanium Dim 100W 0.70 A 1.10V TWE I220	100 W	700 mA		-40°C~55°C		110-277 VAC
Philips Xitanium Dim 150W 0.70 A 1.10V 230V I220	150 W	700 mA		-40°C~55°C		110-277 VAC

MISCELLANEOUS SPECIFICATIONS

Energy Class	Mains Voltage	Frequency	Safety Class	Operational Temp.	Rated Service Life (H)
A+	220 - 240 AC	50 / 60 Hz	II	-20° C / + 50° C	50.000 Hrs