

# Product datasheet

Specifications



## EP MVS CB 1600A 65kA 3P MF ET2 fixed manual circuit breaker

MVS16H3MF2L

### Main

Range	EasyPact
product name	MVS16H
Device short name	MVS16H
Product or component type	Circuit breaker
Device application	Distribution
Poles description	3P
Protected poles description	3P 3d
[In] rated current	1600 A at 40 °C
Network type	AC
[Ue] rated operational voltage	690 V AC 50/60 Hz conforming to IEC 60947-2
Breaking capacity code	H
Suitability for isolation	Yes conforming to IEC 60947-2
Utilisation category	Category B
Trip unit name	ET2I
Trip unit technology	Electronic
Trip unit rating	1600 A

### Complementary

Network frequency	50/60 Hz
control type	Manually operated
Mounting mode	Fixed
Mounting support	Base plate Rail
Connection position	Vertical Horizontal
Location of connection	Rear
[Ui] rated insulation voltage	1000 V AC 50/60 Hz conforming to IEC 60947-2
[Uimp] rated impulse withstand voltage	12 kV conforming to IEC 60947-2
Circuit breaker CT rating	1600 A
Breaking capacity	65 kA Icu at 220...440 V AC 50/60 Hz conforming to IEC 60947-2
[Ics] rated service breaking capacity	65 kA (Ics) at 220...440 V AC 50/60 Hz conforming to IEC 60947-2 50 kA (Ics) at 690 V AC 50/60 Hz conforming to IEC 60947-2

Price is "List Price" and may be subject to a trade discount – check with your local distributor or retailer for actual price.

<b>Mechanical durability</b>	20000 cycles (with maintenance) conforming to IEC 60947-2 10000 cycles (without maintenance) conforming to IEC 60947-2
<b>Electrical durability</b>	Category B: 6000 cycles 440 V AC 50/60 Hz without maintenance conforming to IEC 60947-2 Category B: 4000 cycles 690 V AC 50/60 Hz without maintenance conforming to IEC 60947-2
<b>Connection pitch</b>	115 mm without spreader
<b>Contact position indicator</b>	Yes
<b>[Icm] rated short-circuit making capacity</b>	143 kA (Icm) at 220...440 V AC 50/60 Hz conforming to IEC 60947-2
<b>[Icw] rated short-time withstand current</b>	65 kA (1 s) at 220...440 V AC 50/60 Hz conforming to IEC 60947-2 50 kA (1 s) at 690 V AC 50/60 Hz conforming to IEC 60947-2 50 kA (3 s) at 440/690 V AC 50/60 Hz conforming to IEC 60947-2
<b>Trip unit protection functions</b>	LI
<b>Protection type</b>	Overload protection (long time) Instantaneous short-circuit protection
<b>Fault indication</b>	Internal fault Short-circuit Overload
<b>Long time pick-up adjustment type Ir</b>	Adjustable 9 settings
<b>Long time pick-up adjustment range</b>	0.4...1 x In
<b>Long time delay adjustment type</b>	Adjustable 9 settings
<b>[tr] long-time delay adjustment range</b>	0.5...24 s at 6 x Ir
<b>Thermal memory</b>	20 minutes before and after tripping
<b>Instantaneous pick-up adjustment type Ii</b>	Adjustable 9 settings
<b>Instantaneous pick-up adjustment range</b>	1.5...10 x Ir
<b>Zone selective interlocking ZSI</b>	With
<b>Current sensor rating range</b>	400/2000 A
<b>Maximum breaking time</b>	25 ms
<b>Maximum closing response time</b>	70 ms
<b>Height</b>	352 mm
<b>Width</b>	422 mm
<b>Depth</b>	297 mm
<b>Net weight</b>	40 kg

## Environment

<b>Standards</b>	IEC 60947-2
<b>Product certifications</b>	GOST IEC CCS CCC
<b>Pollution degree</b>	4 conforming to IEC 60664-1
<b>IP degree of protection</b>	IP40
<b>Ambient air temperature for operation</b>	-5...70 °C
<b>Ambient air temperature for storage</b>	-40...85 °C without control unit -25...85 °C with control unit

## Packing Units

<b>Unit Type of Package 1</b>	PCE
<b>Number of Units in Package 1</b>	1
<b>Package 1 Height</b>	42.0 cm
<b>Package 1 Width</b>	35.0 cm
<b>Package 1 Length</b>	50.0 cm
<b>Package 1 Weight</b>	46.133 kg

## **Contractual warranty**

<b>Warranty</b>	18 months
-----------------	-----------

## Environmental Data

Schneider Electric aims to achieve Net Zero status by 2050 through supply chain partnerships, lower impact materials, and circularity via our ongoing “Use Better, Use Longer, Use Again” campaign to extend product lifetimes and recyclability.

[Environmental Data explained >](#)

[How we assess product sustainability >](#)

### Environmental footprint

Carbon footprint (kg.eq.CO2 per CR, Total Life cycle) **2310**

Environmental Disclosure [Product Environmental Profile](#)

## Use Better

### Materials and Substances

Packaging made with recycled cardboard **Yes**

Packaging without single use plastic **No**

[EU RoHS Directive](#) **Compliant with Exemptions**

SCIP Number **3f2d539a-6ab5-46aa-8603-9354f4ae3294**

REACH Regulation [REACH Declaration](#)

PVC free **Yes**

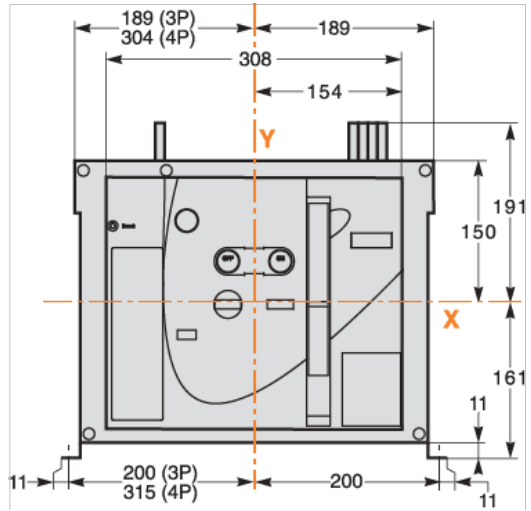
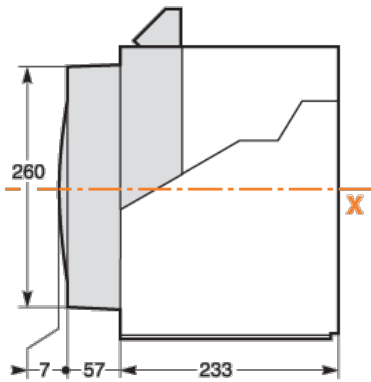
## Use Again

### Repack and remanufacture

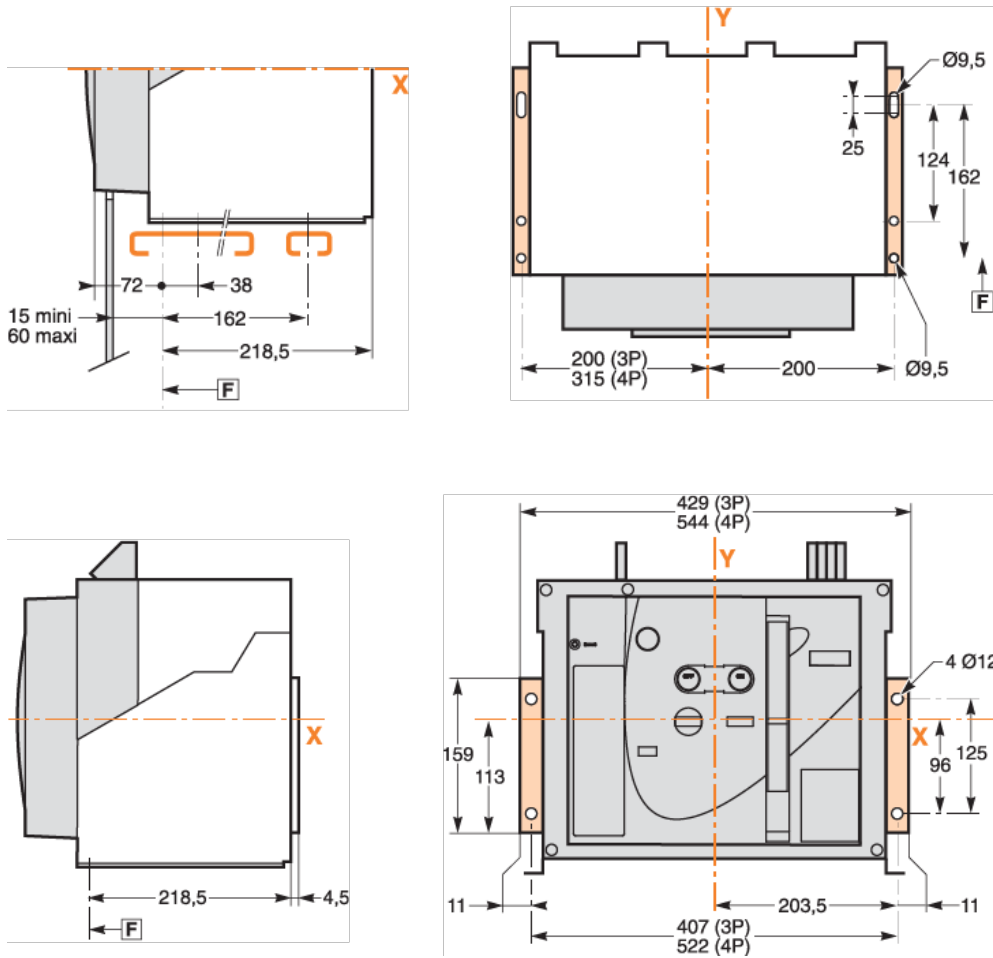
Circularity Profile [End of Life Information](#)

Take-back **No**

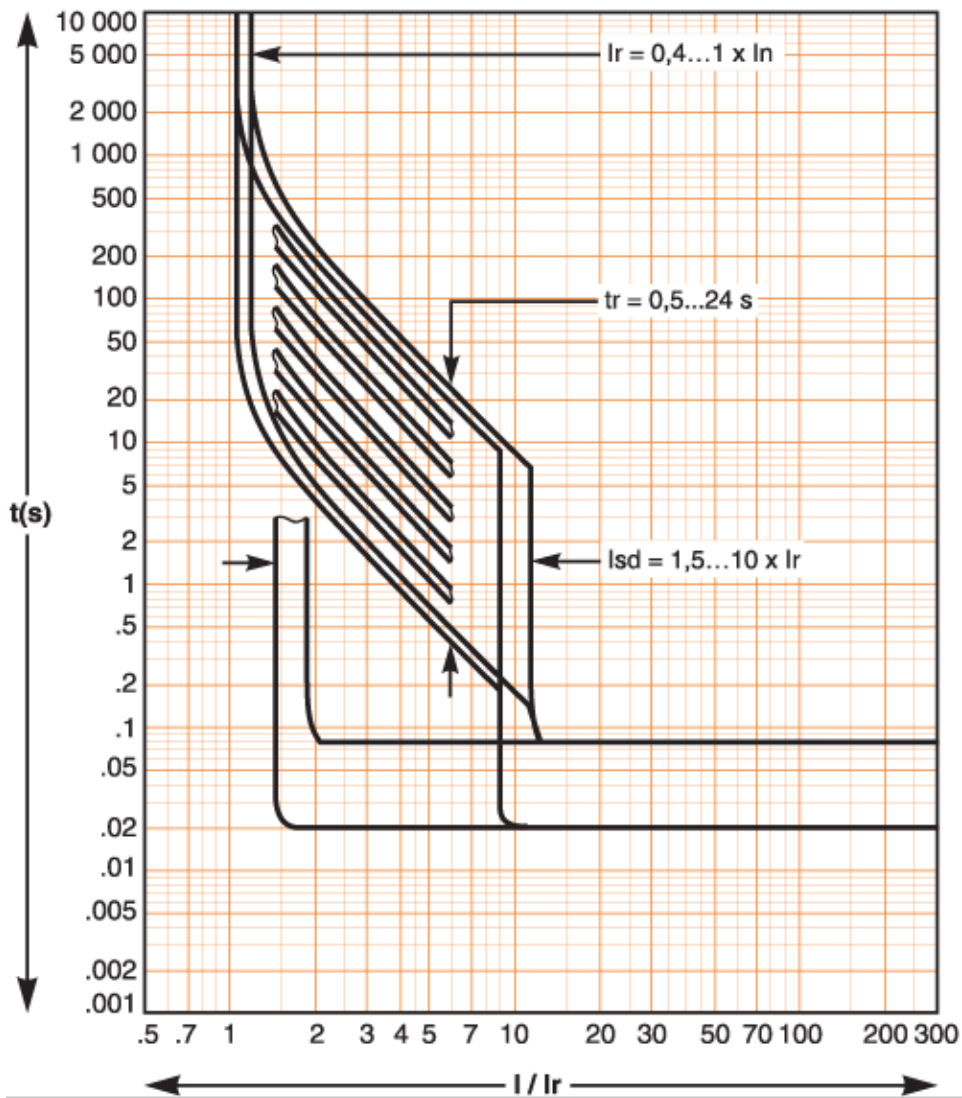
Dimensions Drawings



Assembly



Performance Curves



Offer Marketing Illustration

Product benefits / Features

---



## EasyPact MVS

### Technical Specifications

<p><b>Protection No.</b></p> <ul style="list-style-type: none"> <li>2 LI Protection</li> <li>5 LSI Protection</li> <li>6 LSIG Protection</li> <li>0 No Protection for switch disconnecter</li> </ul>	<p><b>Type</b></p> <ul style="list-style-type: none"> <li>L Basic Protection</li> <li>A Protection + Current metering</li> <li>V Protection + Energy metering</li> <li>D Switch Disconnecter</li> </ul>	
<p><b>Type of Installation</b></p> <ul style="list-style-type: none"> <li>F Fixed</li> <li>W Withdrawable/drawout</li> </ul>	<p><b>Current rating</b></p> <ul style="list-style-type: none"> <li>630A</li> <li>800A</li> <li>1000A</li> <li>1250A</li> <li>1600A</li> <li>2000A</li> <li>2500A</li> <li>3200A</li> <li>4000A</li> </ul>	<p><b>Operating mechanism</b></p> <ul style="list-style-type: none"> <li>Manually operated ACB/SD</li> <li>Electrical 200/240 VAC</li> <li>Electrical 110/130 VAC</li> <li>Electrical 380/415 VAC</li> <li>Electrical 200/250 VDC</li> <li>Electrical 100/125 VDC</li> <li>Electrical 48/60V DC</li> <li>Electrical 24/30V DC</li> </ul>
<p><b>Number of poles</b></p> <ul style="list-style-type: none"> <li>3P 3 Poles</li> <li>4P 4 Poles</li> </ul>		



Offer Marketing Illustration

Product benefits / Features

---



### EasyPact MVS

#### Technical Benefits

- Single frame size from 800 to 4000 A.
- Voltage rating up to 690 V AC.
- Complete selectivity assures electrical system protective coordination, reliability, and continuity of service.
- Compliance with international standard IEC 60947-2 for breakers and IEC 60947-3 for disconnectors.
- Electronic MicroLogic control unit, integrating current and voltage monitoring.
- Optimized range of field-installable auxiliaries and accessories.

Offer Marketing Illustration

Product benefits / Features

---



**EasyPact MVS**  
Range Accessories

Pre-wired terminal block

Auxiliary contact

Protection relays

Fault protection

Time delay relay

Locking accessories

The image displays a collection of accessories for the EasyPact MVS range. At the top left is a large MVS circuit breaker. Below it, the accessories are arranged in two rows. The first row includes a pre-wired terminal block, an auxiliary contact, and two protection relays. The second row includes a fault protection device, a time delay relay, and various locking accessories. Each accessory is accompanied by a descriptive label.

Offer Marketing Illustration

Product benefits / Features

---

## EasyPact MVS LV air circuit breaker



### General applications

Ideal level of capability for your installations from 800 to 4000 A, while offering the durability and ease of use needed for most applications.



### Optimized safety

Ensures safety with ready-to-close contact, multiple locking options, and safety shutters.



### Cost-effective

Get the performance you need at a cost effective investment without compromising quality.

