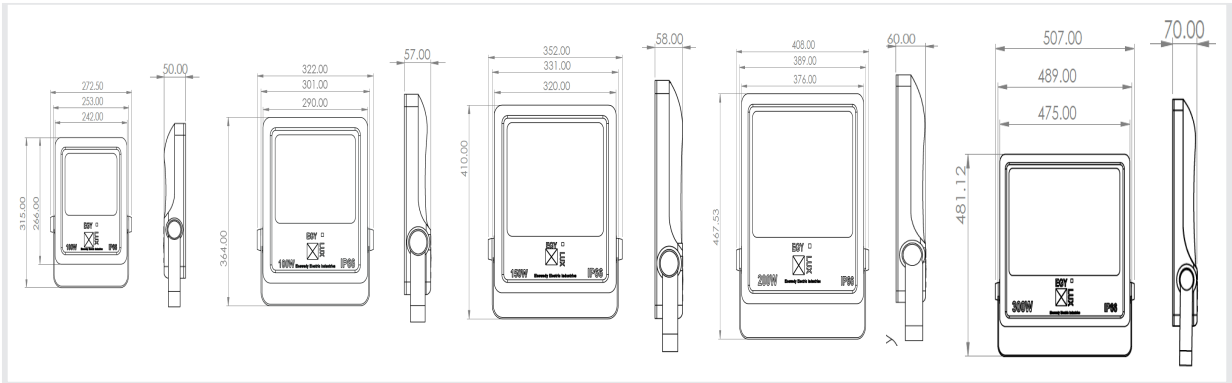


APPLICATION



DIMENSIONS



PHYSICAL CHARACTERISTICS

Installation	Mounted by Bracket / Pole Mounted
IP - Rating	IP 66
IK - Rating	IK 08
Fixture Material	Die-Cast Aluminum
Standard Finish	Electrostatic Coated
Color	Grey / Black

ELECTRICAL / PHOTOMETRIC DATA

Light Source	Lumiled SMD Chip
Color Rendering Index	Ra>80
Color Temperature	3000K - 4000K - 6000K
Glare Control	UGR<20
Diffuser	Tempered Glass

SPECIFICATIONS

Code	Power	System Efficacy	Total Luminous Flux	Driver
EGYFLO050W-LM-PH-*K-SQ	50 W	130 Lm/W	6500 Lm	Philips-Xitanium 100W 0.7A 230V Y (One)
EGYFLO070W-LM-MN-*K-SQ	70 W		9100 Lm	Meanwell-XLG-100 (One)
EGYFLO100W-LM-PH-*K-SQ	100 W		13000 Lm	Philips-Xitanium 100W 0.7A 230V Y (One)
EGYFLO150W-LM-PH-*K-SQ	150 W		19500 Lm	Philips-Xitanium 150W 0.7A 230V Y (One)
EGYFLO200W-LM-PH-*K-SQ	200 W		26000 Lm	Philips-Xitanium Dim250W 0.70A 1-10V-230V-Q (One)
EGYFLO300W-LM-PH-*K-SQ	300 W		39000 Lm	Philips-Xitanium 150W 0.7A 230V Y (Two)

DRIVER OPTIONS / SPECIFICATIONS

Driver	Power	Output Current	Power Factor	Temp. °C	Efficiency η	AC operate V η
Philips Xitanium 100W 0.7A 230V Y	100 W	700 mA	>0.95	-40°C~55°C	>90	202-254 VAC
Philips Xitanium 150W 0.7A 230V Y	150 W	700 mA	>0.95	-40°C~55°C	>90	202-254 VAC
Meanwell - XLG-100	100 W	350-1050 mA	>0.97	-40°C~90°C	>92.5	100-305 VAC
Philips-Xitanium Dim250W 0.70A 1-10V-230V-Q	250 W	700 mA	>0.97	-40°C~90°C	>94.5	202-254 VAC

MISCELLANEOUS SPECIFICATIONS

Energy Class	Mains Voltage	Frequency	Safety Class	Operational Temp.	Rated Service Life (H)
A+	220-240 VAC	50 / 60 Hz	II	-20° C / + 55° C	50.000 Hrs